

PLUMB PERFECT

ADJUSTABLE MOUNT SYSTEMS

The Fast, Easy Way
To Vertically Align
Post Mounts!

Now... A Better Way to Plumb Any Railing System Utilizing A Top Block That Is Movable In Any Direction To Quickly And Accurately Position Post Mounts!

FEATURES:

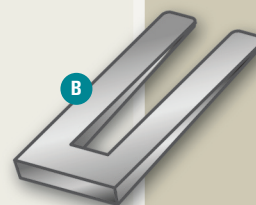
- ◆ Independently **Tested to Meet ICC-ES™ AC 174** structural performance requirements of national building codes.
- ◆ Only **Top Block Plumbed** mount available that can also be adjusted after the railing is installed.
- ◆ Designed for wood, composite, vinyl or concrete decks.
- ◆ **7/16" Thick Base Plate** is double welded to a steel tube and hot-dipped galvanized inside and out for increased corrosion resistance. **A**
- ◆ **Leveling Shims** provided for extreme leveling conditions. **B**

OPTIONS:

- ◆ **Deck Mount Kit** includes: Surface and bottom plates, 4 leveling bolts, 12" mounting bolts (for 36" or 42" height) washers and nuts.
- ◆ **5" Sleeve Over Block** for 5" vinyl post sleeves.
- ◆ **6" Adapter Block** used with 42" railing height.



*Top Block Adjusts
Left, Right,
Forward, Backward
To Correctly Plumb
Post Mount.*

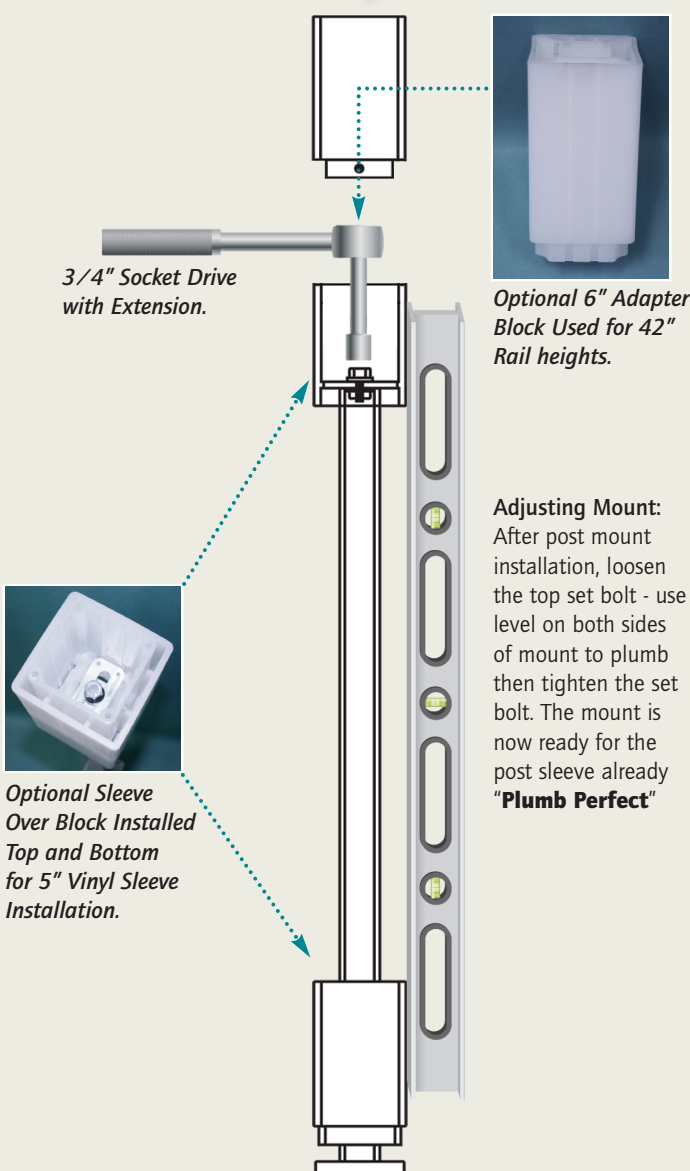


***Patent Pending**

PLUMB PERFECT

ADJUSTABLE MOUNT SYSTEMS

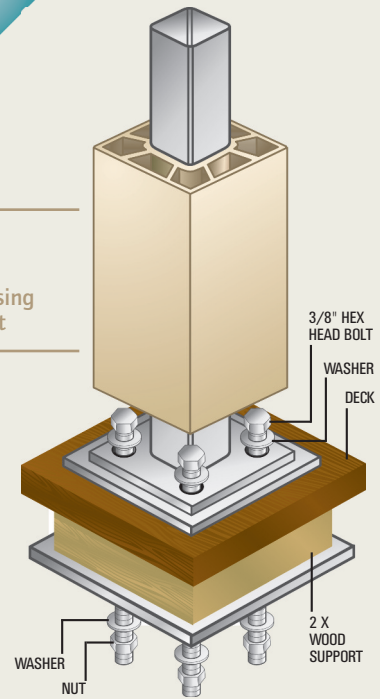
INSTALLATION OPTIONS



OPTION 1:

Deck Mount Installation

Flange Mounted Using the Deck Mount Kit

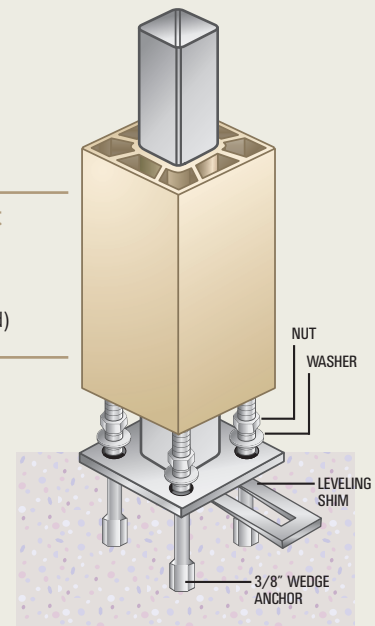


OPTION 2:

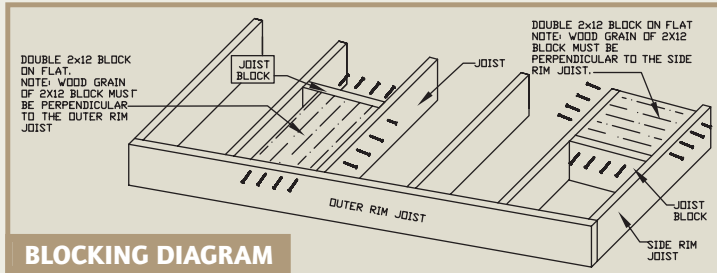
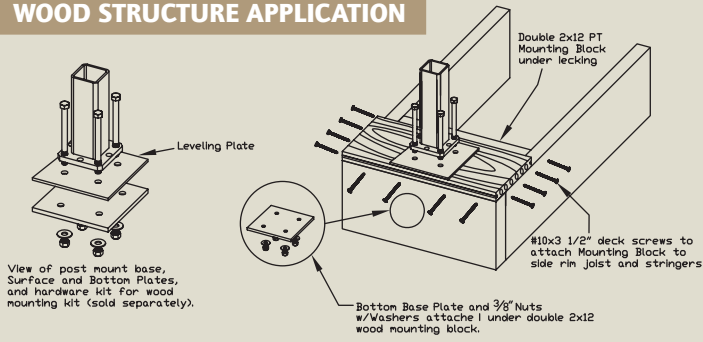
Concrete Mount Application

Flange Mounted

(Hardware not Included)



WOOD STRUCTURE APPLICATION



BLOCKING DIAGRAM

It is the responsibility of the installer to meet all code and safety requirements, and to obtain all required building permits. The deck and railing installer should determine and implement appropriate installation techniques for each installation situation. **The manufacturer or its distributors shall not be held liable for improper or unsafe installations.**

1. Installers must determine the proper mounting hardware and application.