

ATLAS SERIES

QUIK-MOUNT SYSTEMS

The **Patented** Post Mount System Offering An Adjustable Top Block

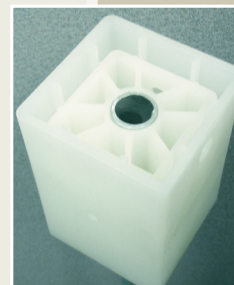
A Patented Post Mounting System,
Approved by Industry Professionals
that Works with *Any* Bracketed
Railing System!

FEATURES:

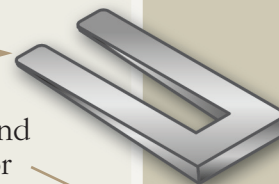
- ◆ Three Models To Choose From
Atlas 3642 1-5/8" Round Tube
Atlas 3642SQHD 1-5/8" Square Tube
Atlas 3642SQHDSC 1-5/8" Square Tube (salt spray tested to over 1000 hours for shore applications)
- ◆ **Independently Tested and Meets ICC-ES™ AC 174** structural performance requirements of national building codes (March 1, 2007).
- ◆ **Leveling Shims** provided for deck or concrete installations.
- ◆ **3/8" Thick Base Plate** is welded to a steel tube and hot-dipped galvanized (standard) inside and out for increased corrosion resistance.
- ◆ Innovative, labor-saving **Top Block** is securely fastened and can be adjusted 6" in the height.
- ◆ Designed for wood composite, vinyl or concrete decks.

OPTIONS:

- ◆ **Leveling Kit** includes: shim plate and 4 leveling bolts.
- ◆ **Deck Mount Kit** Includes: Surface and bottom plates, 4 leveling bolts, 12" mounting bolts (for 36" or 42" height) washers and nuts.
- ◆ **5" Sleeve Over Block** for 5" vinyl post sleeves.



5" Sleeve Over Block For Use With 5" Vinyl Post Sleeves.



6"
ADJUSTABLE
TOP BLOCK
FOR
36" & 42"
RAILING
HEIGHTS

N O W . . .

The Innovative Block Design that Offers a Better, More Reliable and Secure Mounting Platform for Your Fasteners...

ATLAS SERIES

QUIK-MOUNT SYSTEMS

INSTALLATION OPTIONS

OPTION 1 - Deck Mount Kit Installation

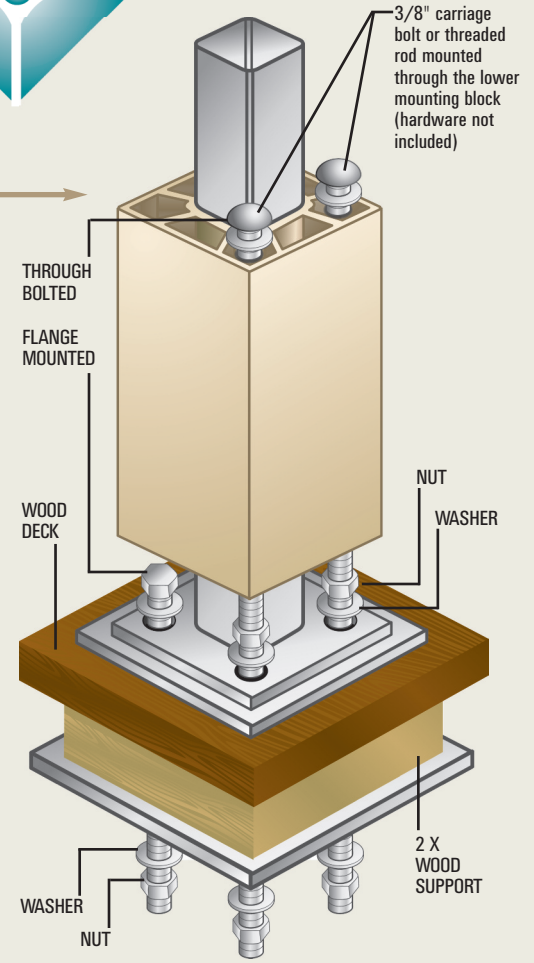
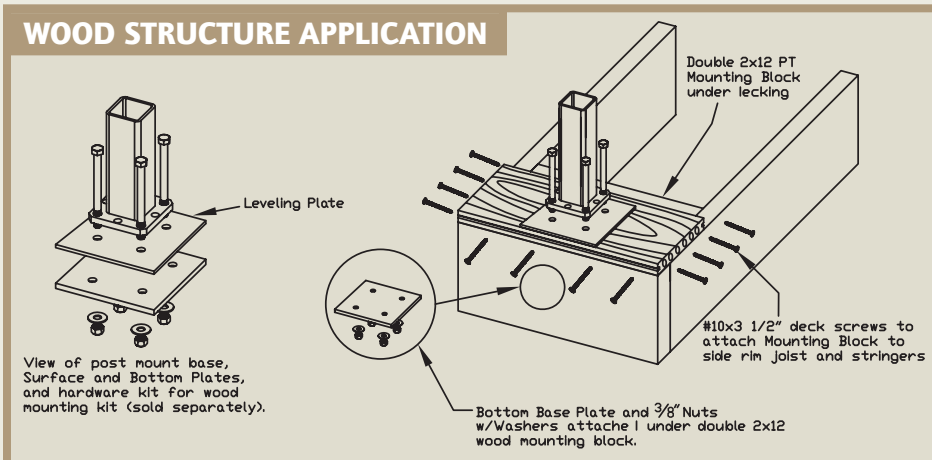
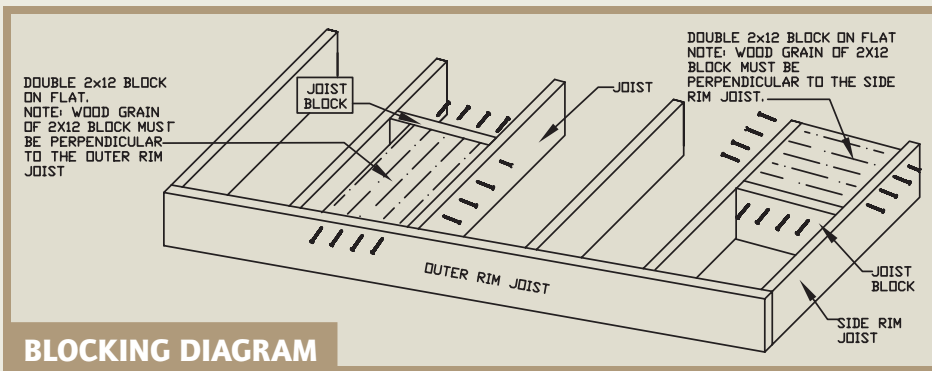
Model 3642SQHD and SC

FLANGE MOUNT:

6'x36" Height, 8'x36" Height, 6'x42" Height

THROUGH BOLTED:

8'x42" Height



OPTION 2 - Concrete Installation

Model 3642

FLANGE MOUNT:

6'x36" Height, 8'x36" Height

It is the responsibility of the installer to meet all code and safety requirements, and to obtain all required building permits. The deck and railing installer should determine and implement appropriate installation techniques for each installation situation. **Vinylast or its distributors shall not be held liable for improper or unsafe installations.**

1. Plumb post with level and shim between the deck and post-mount base plate, if necessary.
2. Installers must determine the proper mounting hardware.

